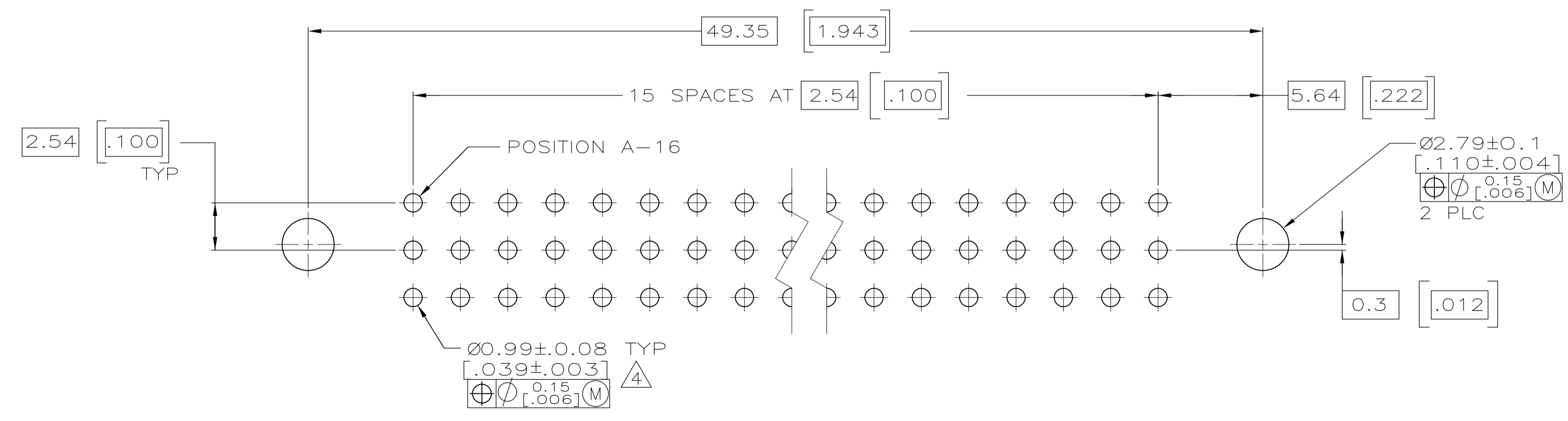
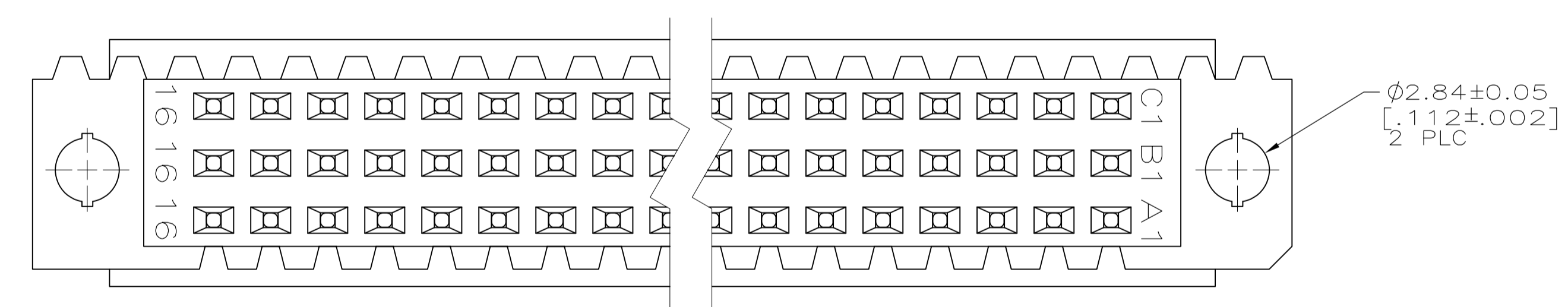
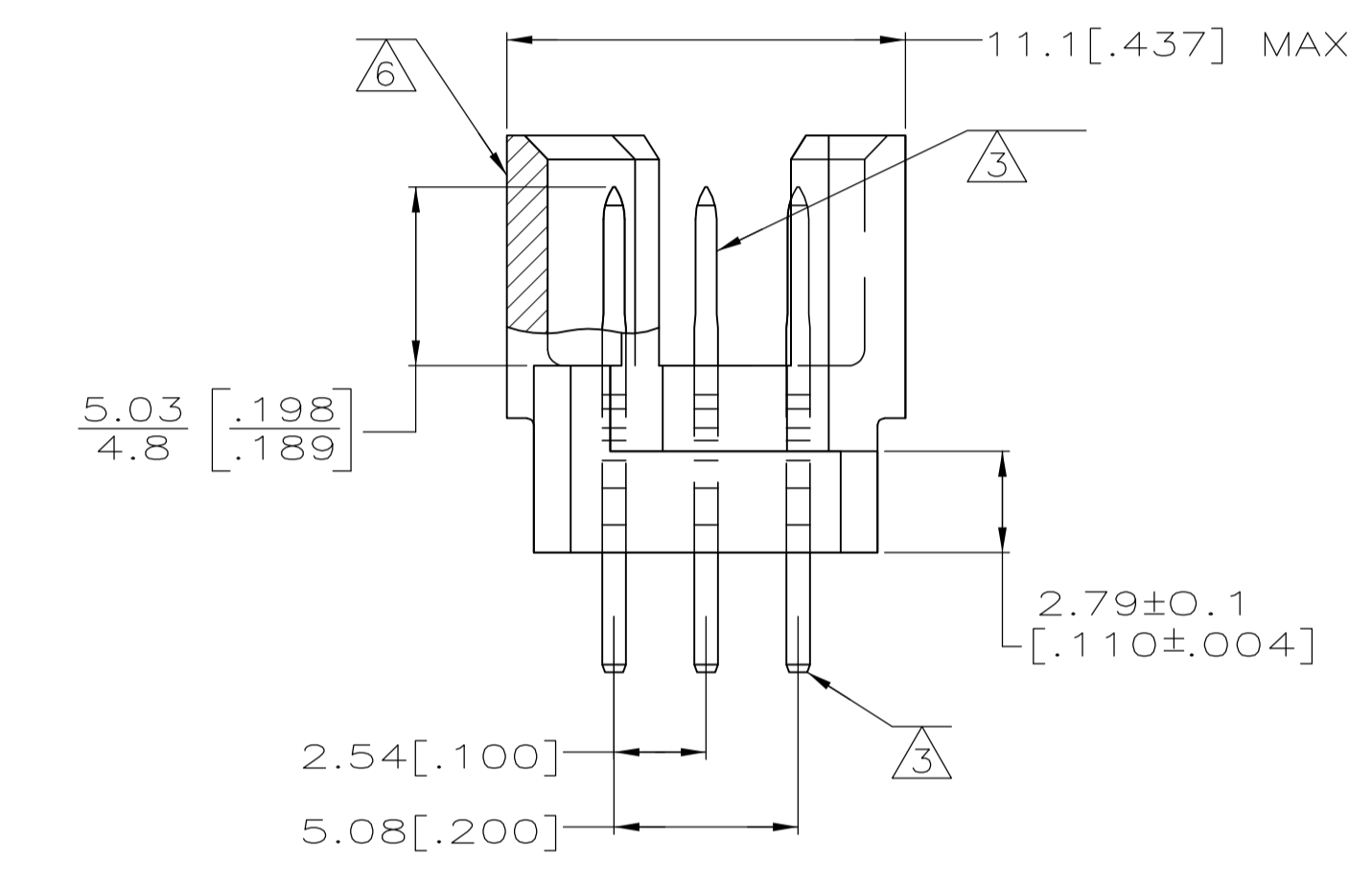
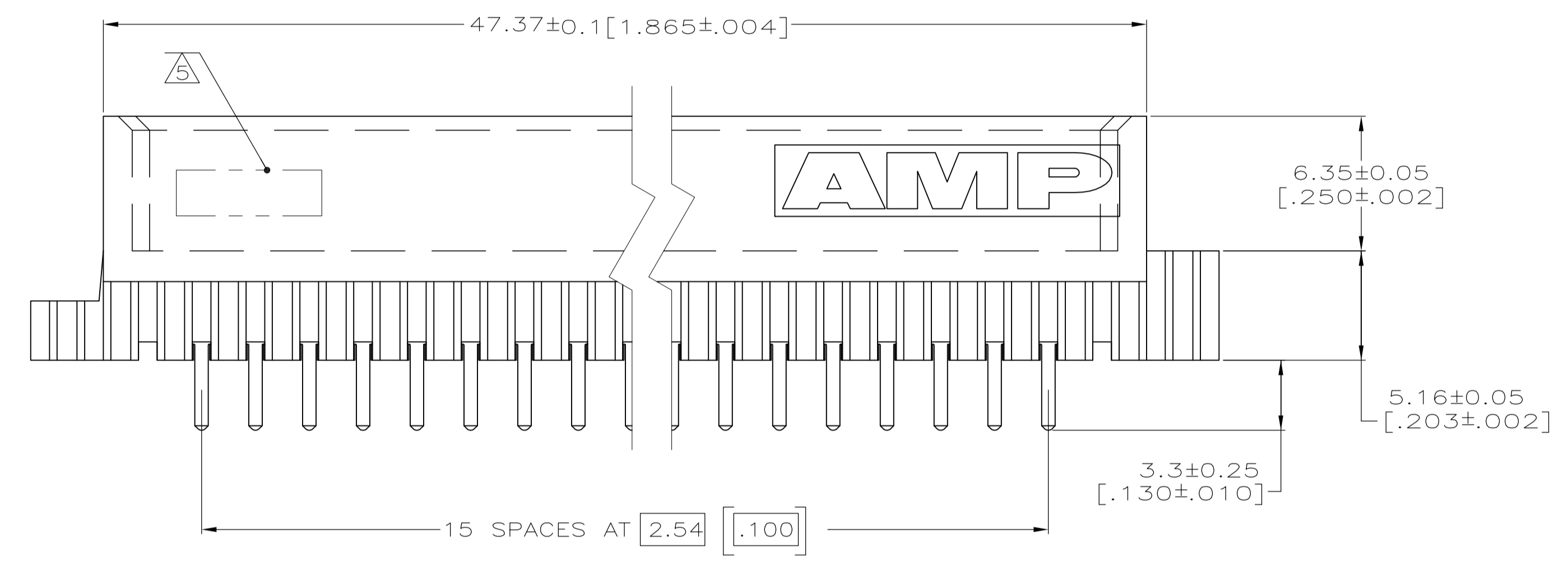


- ① HOUSING MATERIAL: GLASS-FILLED POLYMER. COLOR: GRAY.
- ② POST MATERIAL: COPPER ALLOY.
- ③ POST FINISH: DIN 41612 CLASS 2 IN CONTACT AREA. TIN PLATE ON POSTS.
- ④ RECOMMENDED HOLE SIZE FOR MANUAL APPLICATION OF CONNECTOR ONTO PC BOARD.
- ⑤ PART NUMBER, DATE CODE MARKED THIS APPROXIMATE AREA.
- ⑥ MARKING ON THIS SIDE.



③	1-16	X	X	X	48	5650479-5
NOTES	POSITIONS LOADED	C	B	A	NO. OF LOADED POSITION	ASSY PART NUMBER
		ROWS LOADED				

THIS DRAWING IS A CONTROLLED DOCUMENT.

DIMENSIONS: mm [INCHES]	TOLERANCES UNLESS OTHERWISE SPECIFIED:	DIN J. POLIGNONE 18APROS	18APROS	 TE Connectivity
0 PLC ± -	1 PLC ± -	APVD A. SHARPE 18APROS	18APROS	
2 PLC ± -	3 PLC ± 0.15[.005]	NAME	ASSEMBLY, PIN, EUROCARD, TYPE R/2	
4 PLC ± -	ANGLES ± -	PRODUCT SPEC	48, .130 SOLDER POST	
MATERIAL	FINISH	APPLICATION SPEC		
		WEIGHT	A1 00779 C=5650479	RESTRICTED TO
		CUSTOMER DRAWING	SCALE 5:1	SHEET 1 OF 1